



GLOWBAL



BIG, BOLD AND **UNAPOLOGETICALLY CHAOTIC**



GLOWBAL RESTAURANT GROUP

Glowbal Restaurant Group is all about a more satisfying restaurant experience - on every level. Here you are truly our guest, and taken care of at every moment. In every last one of our locations, in all their variety, that feeling is there.



GLOWBALGROUP.COM



GLOWBAL

590 West Georgia, TELUS Garden | 604 602 0835

Big, bold, and unapologetically chaotic, Glowbal is the namesake and flagship restaurant of Glowbal Restaurant Group. Located in Vancouver's newest architectural landmark, TELUS Garden, this is where stripped down North American cuisine lives and breathes, taking ingredients from across the continent.

HOURS

Monday - Friday
11:00am - Late

Saturday & Sunday
11:00am - Late

SPECIALTIES

The dynamic, lively open kitchen features Canada's first custom built Robata grill, taking the highly acclaimed satays from Yaletown's original Glowbal Grill to a whole new level. Other menu standouts include the famous Truffled Spaghetti & Signature Meatballs, Queso Fundido, Chili & Garlic Fried Sea Bas, and Miso Marinated Sablefish. Thirsty guests will find a carefully curated wine list complete with old and new world vintages, plus rare cellar gems, and an inventive cocktail list filled with playful yet sophisticated creations crafted with a daring approach and classic execution.



BOOK WITH US TODAY

SALES@GLOWBALGROUP.COM | 604 685 4569



“

North America’s incredibly diverse cuisine has always intrigued us with its abundance of flavours, availability of products and of course the famous fresh west coast seafood

From menu favourites, to atmosphere, to dining and seating options, the best of the best is here.

EMAD YACOB
President and CEO of Glowbal Restaurant Group

”

Glowbal by Glowbal Restaurant Group has been a Vancouver institution since launching as Glowbal Grill Steaks & Satay in 2002. Reborn in August 2015 as Glowbal in downtown Vancouver's TELUS Garden, the bold, vibrant, 17,000 square-foot space is fresh, confident and unapologetically chaotic.

"I have always had a soft spot for Glowbal after launching it with my wife in 2002 as our first restaurant and the place that started it all," said Emad Yacoub, president and CEO of Glowbal Restaurant Group. "As Glowbal Restaurant Group has grown more sophisticated and mature, I needed my first 'child' to grow up with the rest of the company. Here it is, bigger, bolder and better than ever."

Glowbal is a full-on feast for the senses, starting with stripped down North American cuisine. The dynamic, lively open kitchen features Canada's first custom built Robata Grill, taking the highly acclaimed satays from Yaletown's original Glowbal Grill to a whole new level.

Experience Glowbal for lunch, dinner and weekend brunch. Glowbal's thoughtfully crafted menus seamlessly meld crowd favourites from each of the company's locations, from Chili & Garlic Fried Sea Bass to Queso Fundido to the famous Truffled Spaghetti & Signature Meatballs.

From menu favourites, to atmosphere, to dining and seating options, the best of the best is here.

Finally, the curated wine list complete with old and new world vintages, plus rare cellar gems, complements an inventive cocktail list complete with playful creations that take a daring approach to classic execution.

"North America's incredibly diverse cuisine has always intrigued us with its abundance of flavours, availability of products and of course the famous fresh west coast seafood," added Yacoub. "We've brought these elements together to create a menu that is at once adventurous, approachable and delicious."

Thanks to the vibrant, open space created by Box Interior Design, guests can enjoy an incredible experience from any table, whether they prefer to people watch, thrive in the thick of the action, or feel like they have the place to themselves. Large parties have their pick

of the widest selection of private dining rooms in the city, each space offering a distinct personality (think gold wallpaper VS. quilted leather cladding) and ranging from 12 to 60 seats. Those looking to dine under the stars can snag their very own human-sized bird cage booth on the 150-seat patio, an expansive space framed by the dramatic wood-and-glass awning, a contemporary piece considered to be Vancouver's new architectural landmark, and bordered by a row of fireplaces for that added touch of warmth.

"We have taken menu elements from each location's preferred dishes and seamlessly melded them into a unified concept at the new Glowbal," stated Yacoub. "From menu favourites, to atmosphere, to dining and seating options, the best of the best is here."





MEZZANINE



EXECUTIVE ROOM

EVENTS & PRIVATE DINING

Large parties have their pick of the biggest selection of private dining rooms in the city, each space offering a distinct personality, think gold wallpaper vs quilted leather cladding.

PRIVATE ROOM CAPACITIES

THE GOLD ROOM - 60

THE MARILYN ROOM - 12

EXECUTIVE ROOM - 14

BUYOUT AVAILABLE

buyout capacity & cost contingent on day of the week and time of the year. Contact sales@glowbalgroup.com for details.

BOOKING POLICY

Set menus for groups over 12 people. 50% deposit required. Guarantee number of attendees due 48 hours before event. 18% gratuity applicable

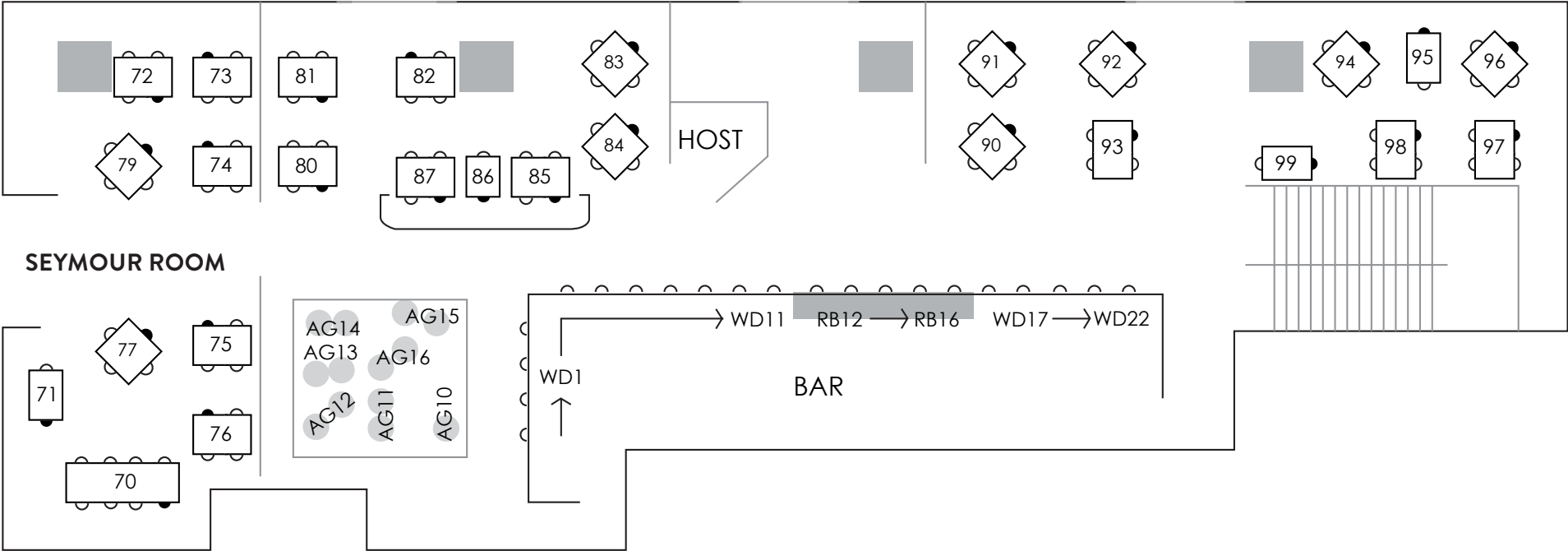


THE MARILYN ROOM

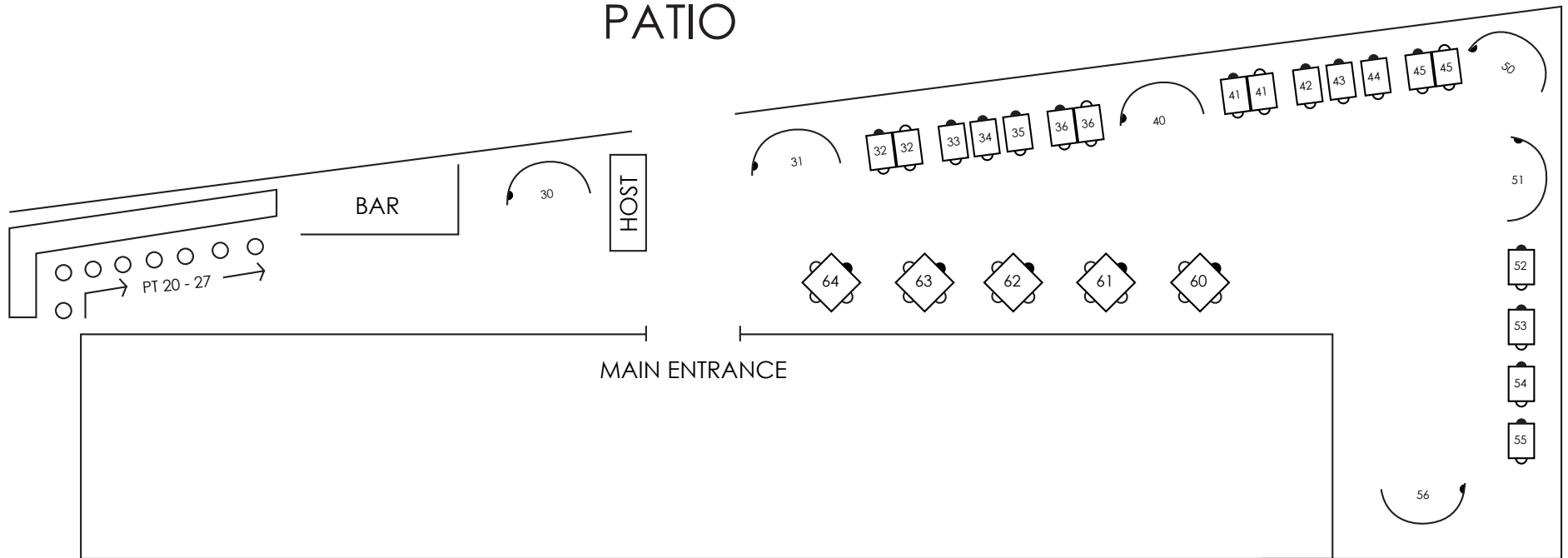


THE GOLD ROOM

MAIN FLOOR



PATIO



MEZZANINE

